

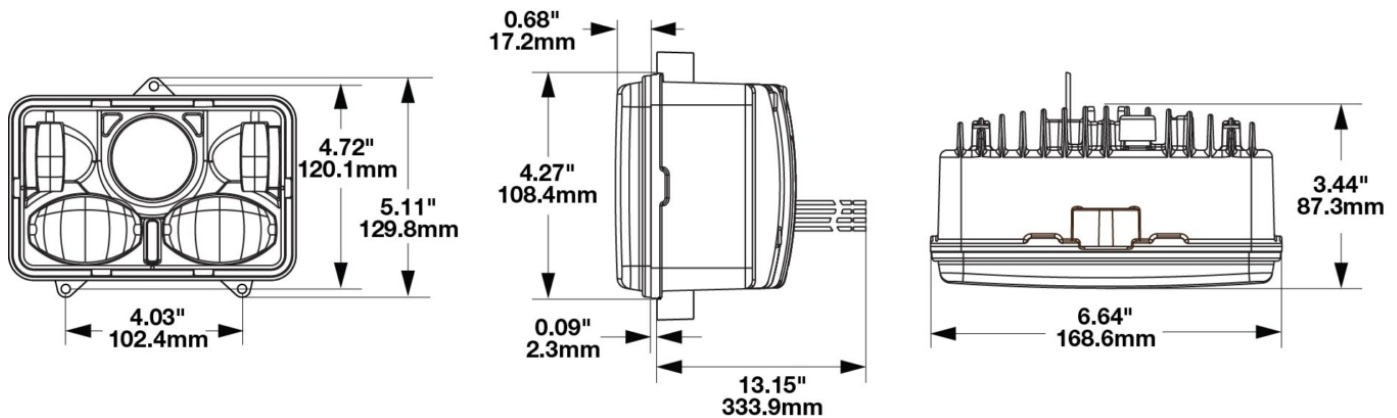
LED Headlights - Model 8820

PRODUCT INFORMATION

| | |
|----------------------------|---|
| Description | 12-24 DOT/ECE LED RHT High & Low Beam Headlight with FP & 3 Point Mount |
| Height | 129.79 mm / 5.11 in |
| Width | 168.66 mm / 6.64 in |
| Depth | 87.38 mm / 3.44 in |
| Shape | Rectangular |
| Outer Lens Material | Polycarbonate |
| Outer Lens Color | Clear |
| Housing Material | Aluminum |
| Housing Color | Black |
| Bezel Color | Black |
| Mounting Type | 3 Point Mount |
| Connector or Wiring | 12" Flying Leads |
| Product Weight | 2.50 lbs / 1.13 kgs |
| Shipping Weight | 3.15 lbs / 1.43 kgs |



PRODUCT DIMENSIONS



Print date: 2024-08-11

© 2024 J.W. Speaker Corporation • Germantown, WI U.S.A.
 www.jwspeaker.com • speaker@jwspeaker.com • 262.251.6660

J.W. SPEAKER
 Engineered. Lighting. Solutions.

LED Headlights - Model 8820

ELECTRICAL SPECIFICATIONS

| | |
|--------------------------|--|
| Input Voltage | 12-24V DC |
| Operating Voltage | 10-30V DC |
| Black Wire | Ground |
| White Wire | High Beam |
| Yellow Wire | Low Beam |
| Red Wire | Front Position |
| Current Draw | 1.11A @ 12V DC (Low Beam) 0.96A @ 24V DC (Low Beam) 2.14A @ 12V DC (High Beam) 1.53A @ 24V DC (High Beam) 0.056A @ 12V DC (Front Position) 0.065A @ 24V DC (Front Position) |

REGULATORY STANDARDS COMPLIANCE



| | |
|-----------------------------|-------------------------------|
| Buy America Standards | ECE Reg 112 |
| ECE Reg 7 | Eco Friendly |
| FMVSS 108 s10.1 (Table XIX) | FMVSS 108 s10.1 (Table XVIII) |
| IEC IP67 | |

Print date: 2024-08-11

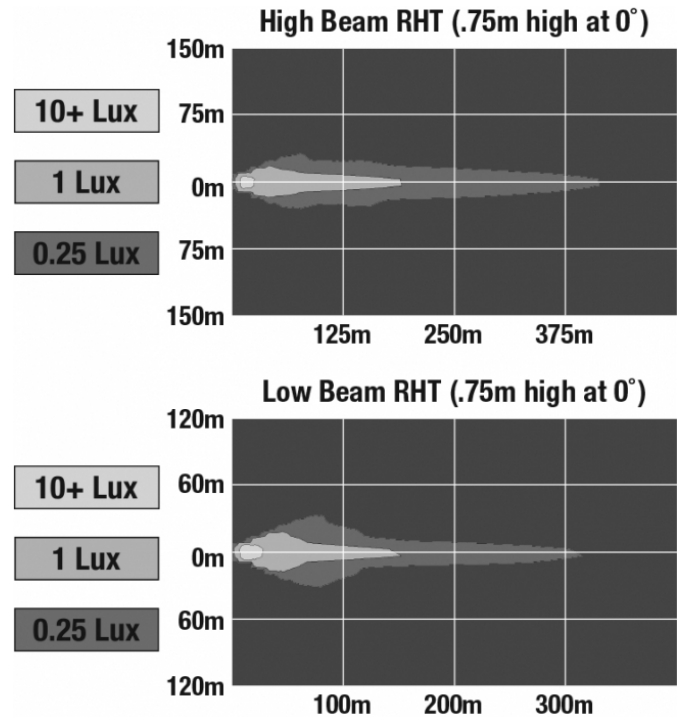
© 2024 J.W. Speaker Corporation • Germantown, WI U.S.A.
www.jwspeaker.com • speaker@jwspeaker.com • 262.251.6660

J.W. SPEAKER 
Engineered. Lighting. Solutions.

LED Headlights - Model 8820

PHOTOMETRIC SPECIFICATIONS

| | |
|-------------------------------|---|
| Raw Lumen Output | 2,100 (High Beam); 1,850 (Low Beam) |
| Effective Lumen Output | 755 (High Beam); 645 (Low Beam) |
| Beam Pattern(s) | Forward Lighting - High Beam (DOT/ECE) Forward Lighting - Low Beam (DOT) Forward Lighting - Low Beam (ECE Right Hand) Signalization - Front Position |



APPLICATIONS



PRODUCT WARNINGS

For California residents:

⚠ **WARNING:** Cancer and reproductive harm - www.P65Warnings.ca.gov.

⚠ **AVERTISSEMENT:** Cancer et effet nocif sur la reproduction - www.P65Warnings.ca.gov.

Print date: 2024-08-11

© 2024 J.W. Speaker Corporation • Germantown, WI U.S.A.
www.jwspeaker.com • speaker@jwspeaker.com • 262.251.6660

J.W. SPEAKER
Engineered. Lighting. Solutions.

LED Headlights - Model 8820

RELATED PRODUCTS



Part Number
0550281
12-24 ECE LED LHT
High & Low Beam
Headlight with FP & 3
Point Mount



Part Number
0550931
12-24 DOT/ECE LED
RHT High & Low Beam
Headlight with FP &
Panel Mount



Part Number
0550941
12-24 ECE LED LHT
High & Low Beam
Headlight with FP &
Panel Mount